

DESCRIPTION

THE SW-2181-2A IS A SPDT PIN SWITCH INTENDED FOR USE IN COMMERCIAL AND MILITARY ENVIROMENTS. IT FEATURES ALL SOLID STATE CHIP DIODE AND MICROSTRIP CONSTRUCTION FOR RUGGED, RELIABLE OPERATION. HYBRID DRIVER CIRCUITRY FEATURES REVERSE VOLTAGE AND OVER VOLTAGE PROTECTION.

SPECIFICATIONS

- FREQUENCY RANGE 0.3-20 GHz MINIMUM
- INSERTION LOSS 3.0 dB MAXIMUM
- ISOLATION 0.3-20 GHz, 55 dB MINIMUM

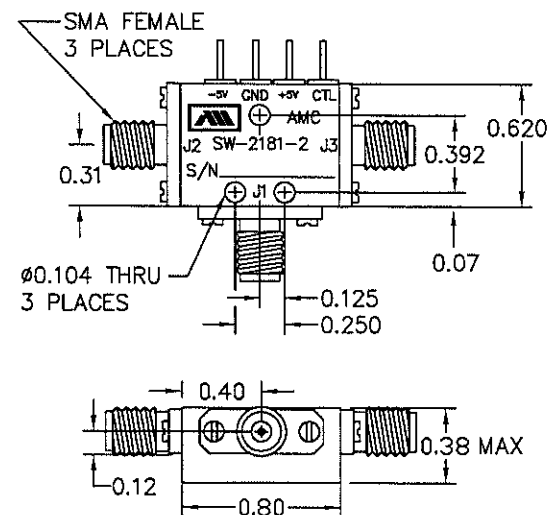
- VSWR (ON) 2.0:1 MAXIMUM
- RF POWER RATINGS +23 dBm CW MAXIMUM
- SWITCHING SPEED 50ns. MAX.
RISE/FALL TIME
- DC POWER: +5V @ 65mA, MAX.
-5V @ 50mA, MAX.
- CONNECTORS
RF INPUT/OUTPUT SMA (FEMALE)
CONTROL SOLDER PIN
- SIZE 0.80" x 0.62" x 0.38"

AVAILABLE OPTIONS

- 001 35 dB MIN ISOLATION
- 002 INDEPENDENT CONTROLS
- 003 SMA MALE CONNECTORS
- 005 REVERSE LOGIC
- 006 -15 VOLT SUPPLY
- 007 10 NS, MAX. RISE/FALL TIME
- 008 EXTEND FREQUENCY TO 100 MHz

REVISIONS				
ZONE	REV.	DESCRIPTION	DATE	APPROVED
A		ORIGINAL RELEASE, AMC DWG# 200-1613	11/22/92	<i>[Signature]</i>

MECHANICAL OUTLINE



TRUTH TABLE		
LOGIC	RF ON	RF OFF
0	J1-J2	J1-J3
1	J1-J3	J1-J2

- NOTES:
 1) DIMENSIONS ARE IN INCHES
 2) TOLERANCES: X.XX ±0.020
 X.XXX ±0.010
 3) WEIGHT: APPROX. 1.0 OZ

ENVIRONMENTAL RATINGS

- TEMPERATURE -65°C TO +85°C (OPERATING)
-65°C TO +125°C (STORAGE)
- HUMIDITY MIL-STD-202F, METHOD 103B COND. B
- SHOCK MIL-STD-202F, METHOD 213B COND. B
- VIBRATION MIL-STD-202F, METHOD 204D COND. B
- ALTITUDE MIL-STD-202F, METHOD 105C COND. B
- TEMPERATURE CYCLE MIL-STD-202F, METHOD 107D COND. A



AMERICAN MICROWAVE CORPORATION

7311G GROVE RD., FREDERICK, MD. 21701
 TEL: (301) 662-4700 FAX: (301) 662-4938

APPROVALS	DATE
DRAWN <i>WSP</i>	11/22/92
CHECKED <i>[Signature]</i>	5/15/08

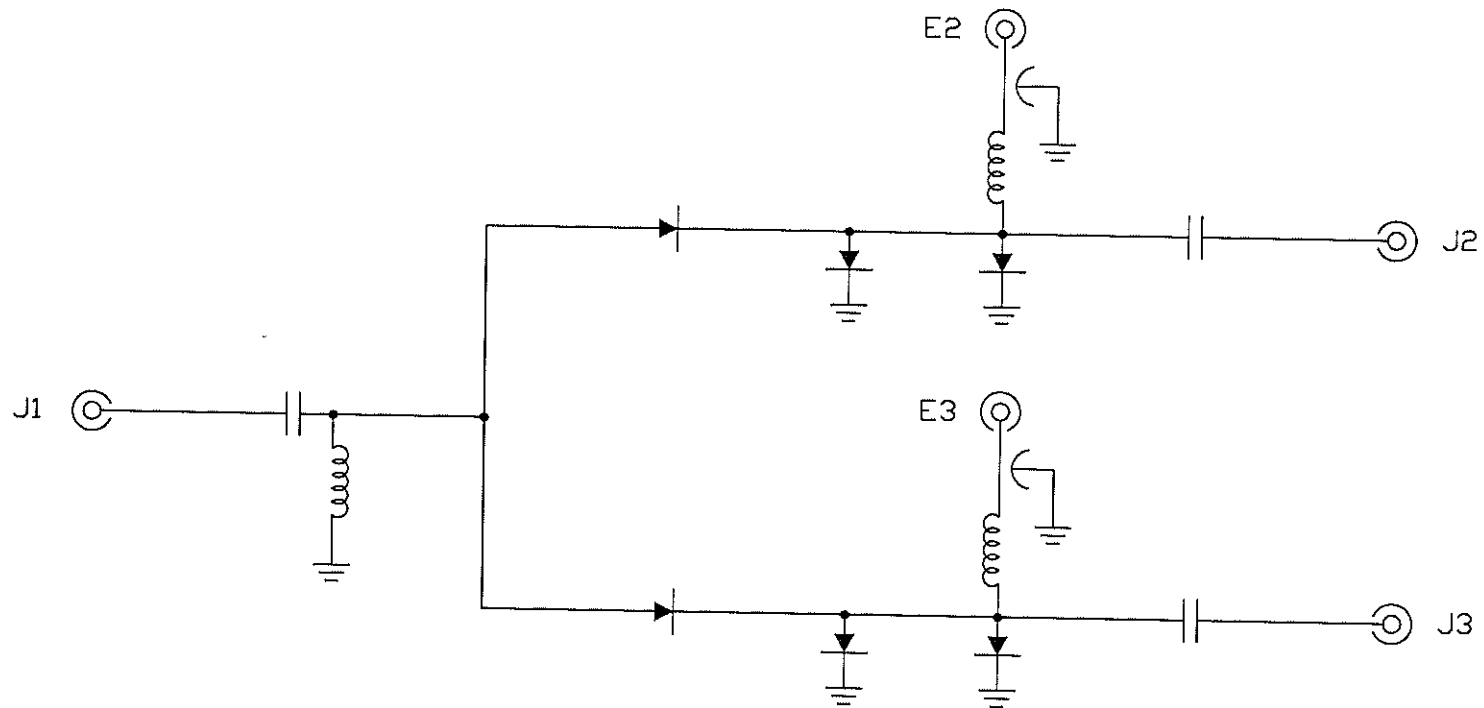
PRODUCT FEATURE

SW-2181-2A

0.3-20 GHz, REFLECTIVE SPDT SWITCH MODULE

SIZE A SHEET 1 OF 2 DWG. # 100-7781

FUNCTIONAL SCHEMATIC



AMERICAN MICROWAVE CORPORATION

7311G GROVE RD., FREDERICK, MD. 21701

TEL: (301) 662-4700 FAX: (301) 662-4938

APPROVALS

DATE

DRAWN

WSP

11/22/92

CHECKED

[Signature]

5/15/08

PRODUCT FEATURE

SW-2181-2A

0.3-20 GHz, REFLECTIVE SPDT SWITCH MODULE

SIZE A

SHEET 2 OF 2

DWG. # 100-7781